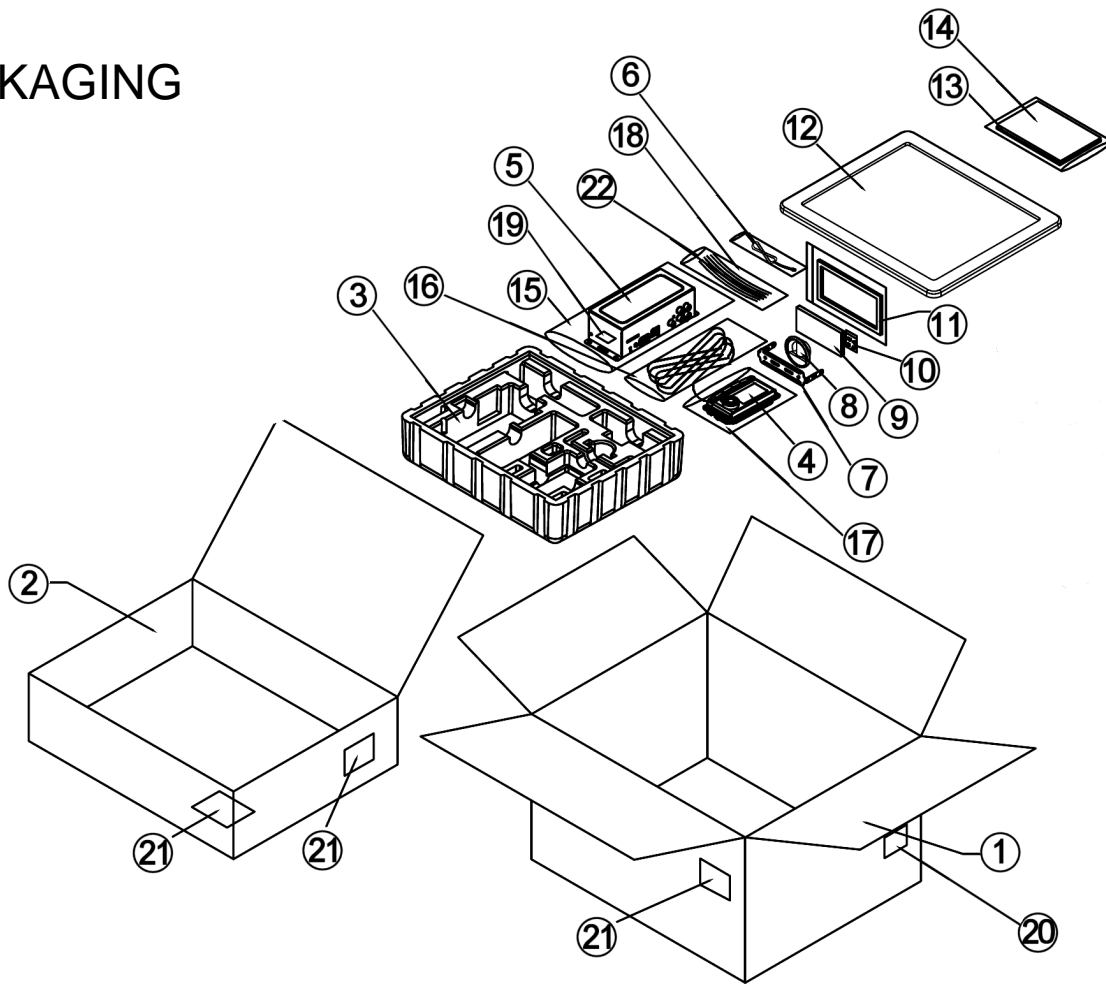


# PACKAGING



ITEM	PART NUMBER	DESCRIPTION	QTY
1		MASTER CARTON	1
2	402-000-06220-EP	OUTER CARTON	1
3	434-000-00110-EP	FOAM (BOTTOM)	1
4	015-7600-00042-EP	IMS CONTROLLER/DISPLAY	1
5	015-7600-00043-EP	IMS INPUT/OUTPUT JUNCTION BOX	1
6	188-MP128001-EP	MICROPHONE	1
7	361-FE-05159-0BAEP	U-BRACKET	1
8	320RUB-05176-0BAEP	HOLDER, SURFACE-MOUNT, MICROPHONE	1
9	398-NYL-050404-EP	VELCRO	1
10	371-000-05252-EP	HARDWARE PACKAGE	1
11	309ABS-05094-0BAEP	FLUSH-MOUNT RING	1
12	434-000-00111-EP	FOAM (TOP)	1
13	Visit <a href="http://infinitysystems.com">infinitysystems.com</a>	OWNER'S MANUAL	1
14	405-000-00284-EP	WARRANTY CARD	1
15		PLASTIC BAG	1
16		PLASTIC BAG	1
17		PLASTIC BAG	1
18		PLASTIC BAG	1
19		LABEL	1
20		LABEL	1
21		LABEL	1
22	162-A045D003-E	WIRING HARNESS	1